

## TENSION FABRIC STAND 36"X90"







36"x 90"

Single Sided



Double Sided



48"x 90"

Single Sided



Double Sided









**Interlocking hardware - no tools required**



LED Light Clips

**SELECT PRINT OPTIONS:**

Rating: Not Rated Yet

**Price**

Base price with tax

Price with discount \$279.00

Sales price \$279.00



Sales price without tax \$279.00

Discount

Tax amount

[Ask a question about this product](#)

Description

### **Description**

Tension Fabric Stands are premium indoor displays. The interlocking tube hardware is lightweight and built for lightning quick setups, no tools necessary! Once the hardware is in place just slip the "pillow-case" stretch fabric graphic over the frame, zip the graphic closed and set-up is complete. Graphics are full-color custom dye-sub. Add the double-sided option for twice the graphic impact.

---

### **Graphic Material:**

- Dye Sublimated 8.8 oz Tension Fabric

### **Graphic Details:**

- Single or Double Sided pillowcase graphics
- Zipper closure on bottom of graphic

### **Hardware:**

- Interlocking aluminum tube frame
- Heavy duty steel base plate

### **Accessories:**

- Complimentary carry case
- LED Lights (optional)

---

### **File Setup**

- Accepted File Formats: JPEG or PDF (single page only)
- Color Space: CMYK
- Resolution: 150dpi for raster images (More than enough for large format)
- Max File Upload Size: 300MB
- Submit artwork built to ordered size - Scaled artwork is automatically detected and fit to order
- Do not include crop marks or bleeds
- Double sided products will be uploaded as two separate files unless otherwise specified in the artwork template

### **Additional Tips**

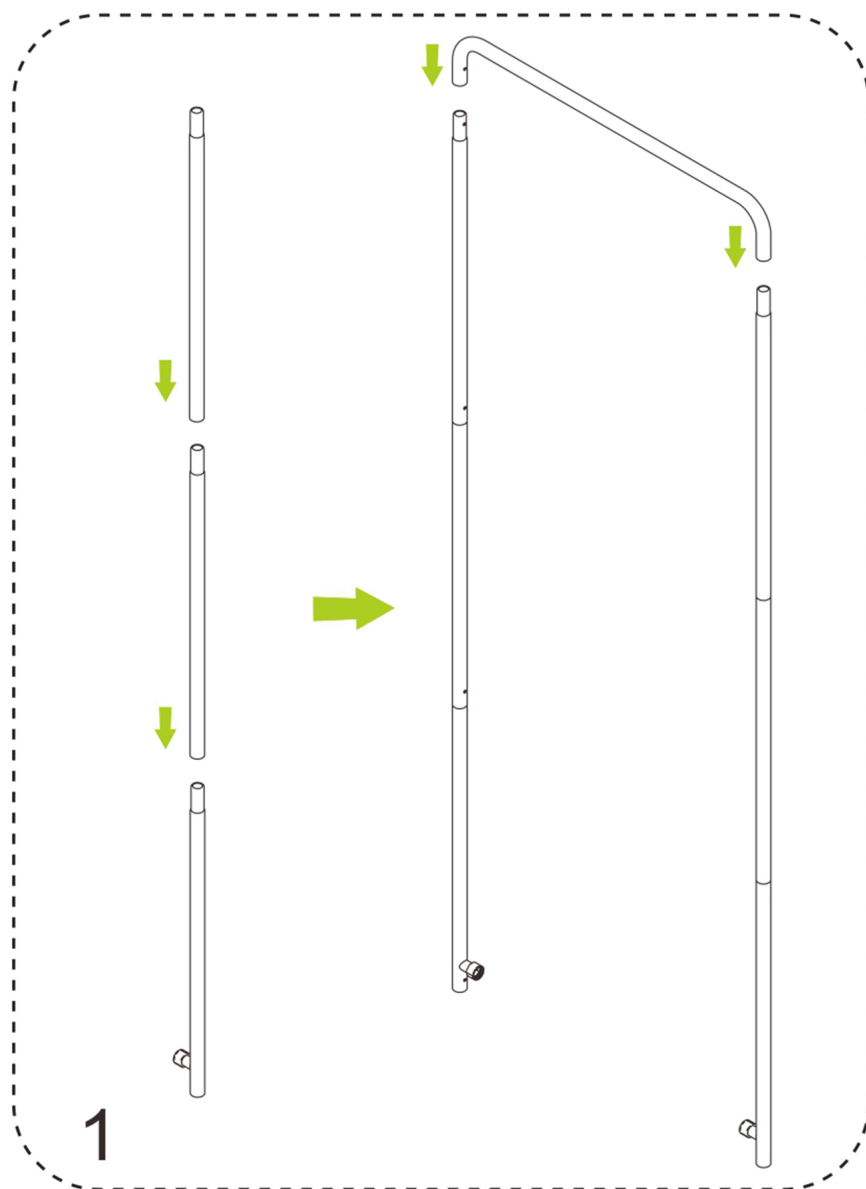
- Do not submit with Pantones/Spot Colors - Convert to CMYK
- Convert live fonts to outlines
- Use provided design templates when available

- Do not adjust artboard size
- Do not reposition guidelines
- Design on layer labelled "Artwork"
- Delete mask/guide layers when instructed by template

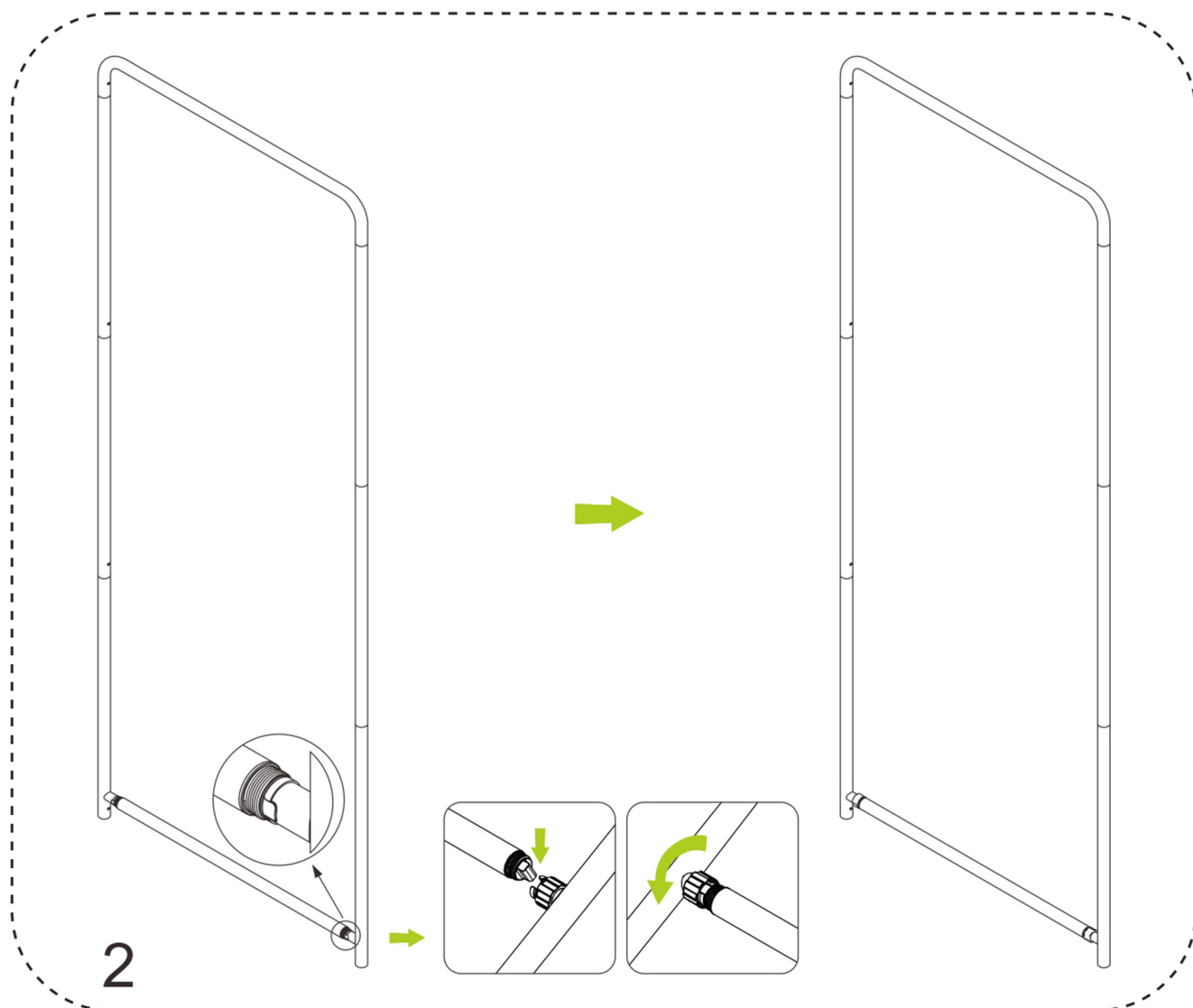
---

**Installation Guide**

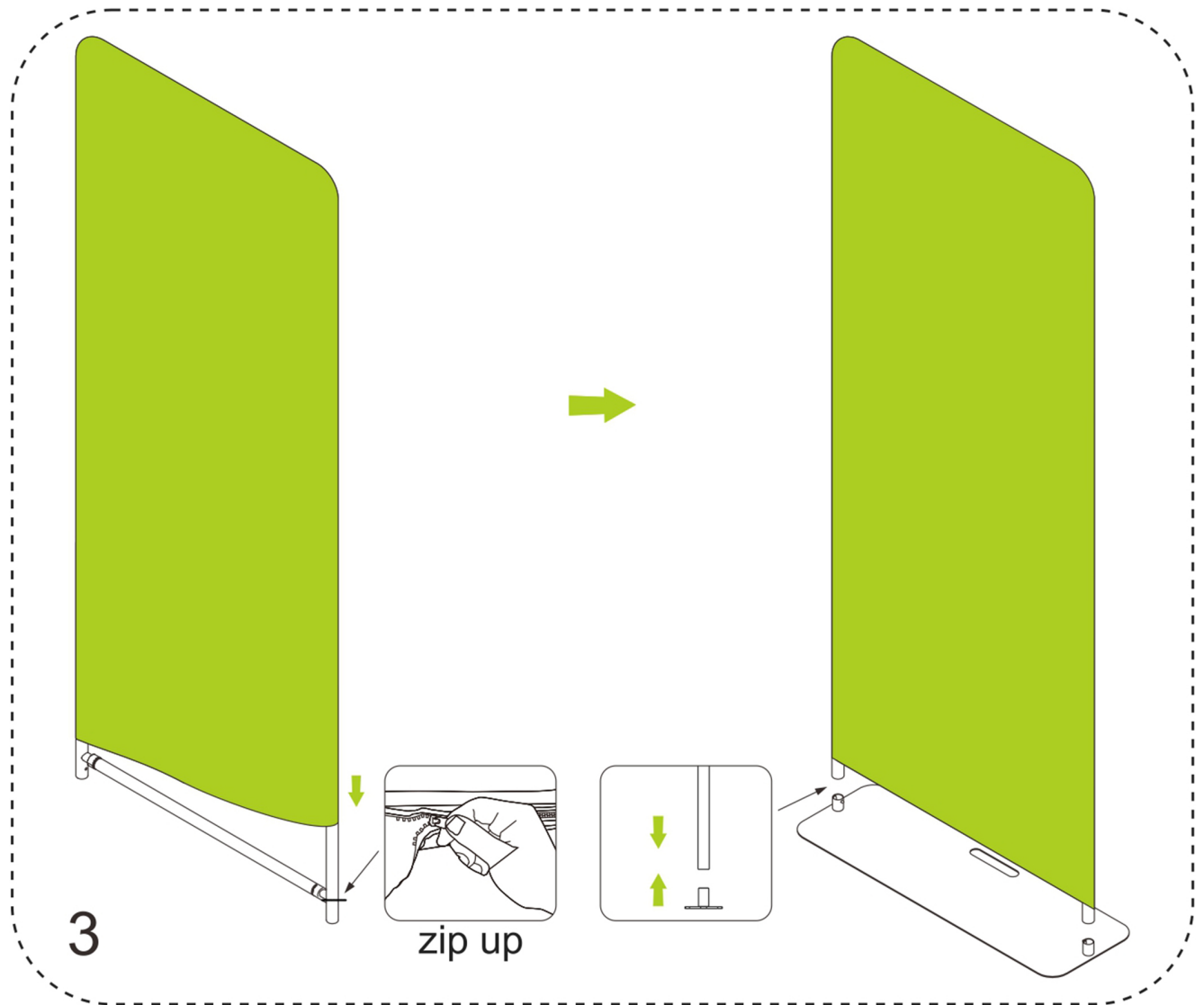
[Download Installation Guide](#)



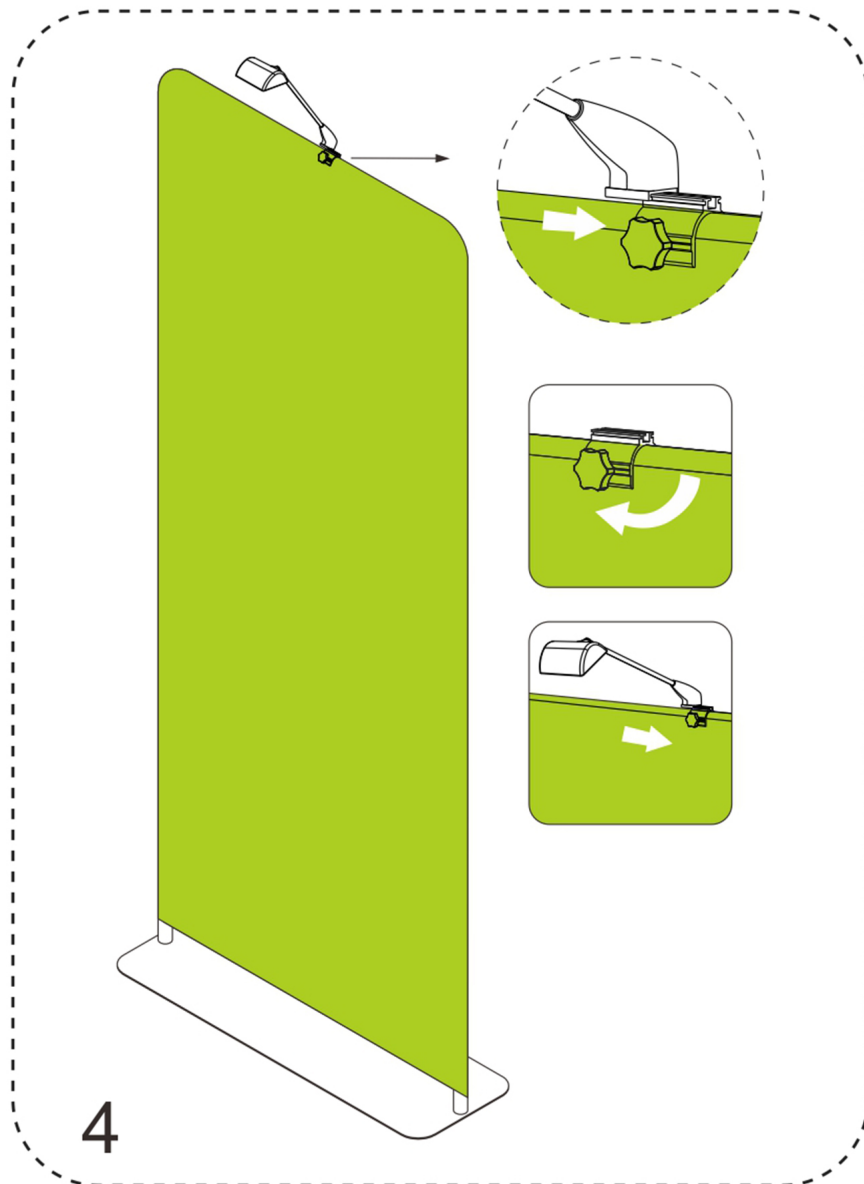
1. To connect all the aluminium tubes according to the numbering



2. Using the big plastic screw parts to fasten the bottom cross bar



3. To wrap the fabric banner on the frame and zip up, afterwards install whole display stand to the base.



4. To install the lights clips to the top of display stand and fasten by screw, then slip the lights in position

////